

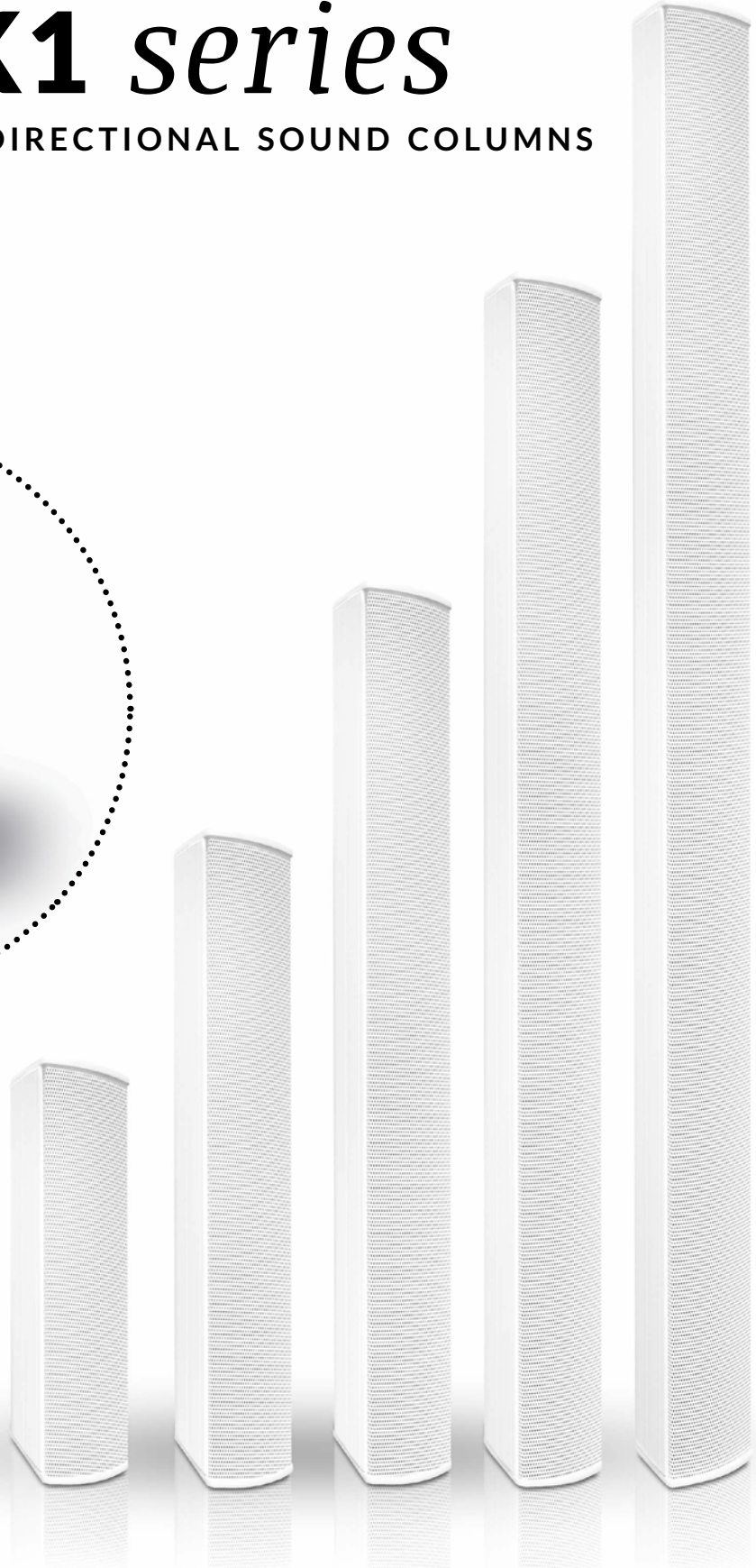


Made in EU



K1 series

PASSIVE DIRECTIONAL SOUND COLUMNS



© 2025 Phoenix Professional Audio GmbH | All rights reserved - Pictures can differ - Deviations in design, colors, errors and technical changes reserved.



www.phoenix-pa.com

K1 series

Passive directional sound columns

HIGH EFFICIENCY **CONSTANT DIRECTIVITY**
CLEAR & NATURAL QUALITY OF SOUND

Professional sound columns, especially developed for the sound transmission in acoustically difficult rooms with long reverberation times like cathedrals, churches and conference buildings and for various public buildings.

The **K1 speaker systems** enable very clear and natural quality of sound, which guarantees excellent intelligibility of both voice and music. The speakers have a huge coverage area as well as further opening angle in the vertical plane.

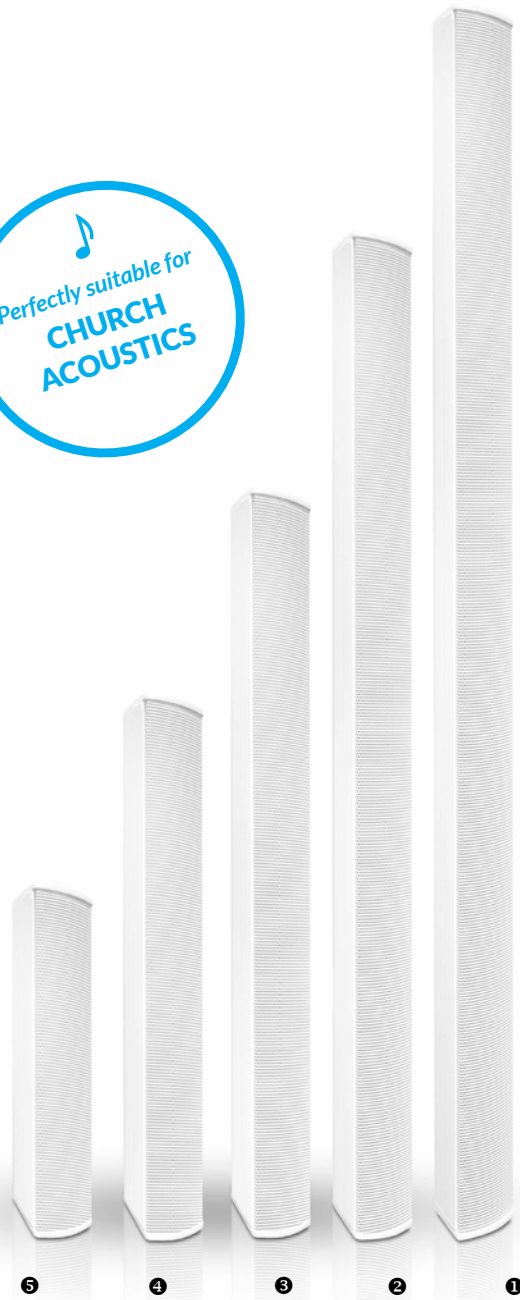
The elegant column speakers which appear unobtrusive in their dimensions (67 mm width only), are assembled with newly developed high-performance broadband chassis in miniature version and with high efficiency spherical ball-dome chassis in the HF range.

Thanks to the appropriate filtration system and arrangement of the loudspeaker units inside the loudspeaker itself, the frequency-independent directional sound radiation of the K1 speaker series is solely limited to the audience area and thus provides the highest acoustic natural speech reproduction.

The housing of special shaped aluminum profile is very stable and elegant in its design and fits perfectly to each surrounding.

Using the included mounting brackets, mounting of the directional column speakers is easy.

Standard color: white RAL 9016. On customer's request the housing can be powder-coated acc. to RAL colour samples.



© 2025 Phoenix Professional Audio GmbH | All rights reserved - Pictures can differ - Deviations in design, colors, errors and technical changes reserved.

Fig.: K1 series, bottom view



Fig.: K1 series, on customer request also available in black color or other RAL colors

Further details - Online shop



[K1 series >>](#)

Model types

- K1-120** Professional sound columns
- 5 K1-20 REG** Professional sound columns¹
- 4 K1-30** Professional sound columns²
- 3 K1-45** Professional sound columns
- 2 K1-60** Professional sound columns
- 1 K1-90** Professional sound columns

¹ Perfectly suitable as controlling speaker for monitoring i.e. in the altar area
² The best solution as front sound system

Fig.: K1 series, Input 100 V



K1 series - Continued from previous page

| Technical data | | K1-30 | | K1-45 | | K1-60 | | K1-90 | | K1-120 | |
|---|------|---------------|---------|-------------|--------|-------------|--------|-------------|--------|-------------|--------|
| 1/1 power | Imp. | 30W | 333Ohm | 45W | 222Ohm | 60W | 166Ohm | 90W | 111Ohm | 120W | 83Ohm |
| 1/2 power | Imp. | 15W | 666Ohm | 22,5W | 444Ohm | 30W | 333Ohm | 45W | 222Ohm | 60W | 166Ohm |
| 1/4 power | Imp. | 7,5W | 1333Ohm | 11,25W | 888Ohm | 15W | 666Ohm | 22,5W | 444Ohm | 30W | 333Ohm |
| Number of full range speakers (2,0" ferrite) | | 6pcs. | | 9pcs. | | 12pcs. | | 16pcs. | | 20pcs. | |
| Number of High-frequency speakers (Neodymium *) | | 1pcs. | | 2pcs. | | 2pcs. | | 3pcs. | | 4pcs. | |
| Frequency range [Hz] | | 185Hz - 20kHz | | 180Hz-20kHz | | 175Hz-20kHz | | 165Hz-20kHz | | 155Hz-20kHz | |
| Acoustic sound pressure at max SPL (pink noise) IEC 60268-1 | 92dB | 8m | | 10m | | 12m | | 15m | | 18m | |
| | 95dB | 5m | | 8m | | 10m | | 12m | | 15m | |
| Power supply | | 100V | | 100V | | 100V | | 100V | | 100V | |
| Characteristics | | directional | | directional | | directional | | directional | | directional | |
| Dimensions: H/W/D [mm] | | 600/67/73 | | 800/67/73 | | 1100/67/73 | | 1600/67/73 | | 1760/67/73 | |
| Weight | | 2,8 | | 3,7 | | 4,7 | | 7 | | 9,5 | |

*] Special high-efficiency HF ball-dome systems with high sound pressure

- Excellent speech intelligibility
- Very natural and balanced sound quality
- Constant directional characteristics
- Special housing with feedback attenuation
- Elegant design
- 67 mm housing width only
- High sound pressure
- Including mounting brackets
- Special RAL powder coating possible
- Ranges:
 - K1-120:** (95 dB@15 Meters), (92 dB@18 Meters)
 - K1-20 REG:** (95 dB@3 Meters), (92 dB@5 Meters)
 - K1-30:** (95 dB@5 Meters), (92 dB@8 Meters)
 - K1-45:** (95 dB@8 Meters), (92 dB@10 Meters)
 - K1-60:** (95 dB@10 Meters), (92 dB@12 Meters)
 - K1-90:** (95 dB@12 Meters), (92 dB@15 Meters)

Specials

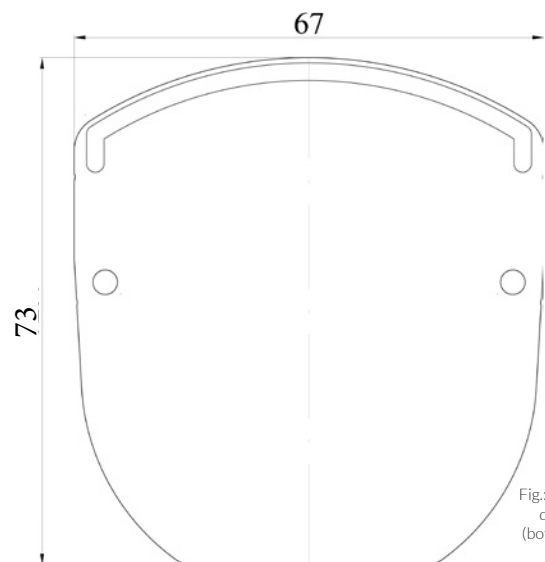


Fig.: K1 series, dimensions (bottom view)

Fig.: Model K1-20 REG, side view and view of volume control



Fig.: K1 series, stable and elegant aluminium profile

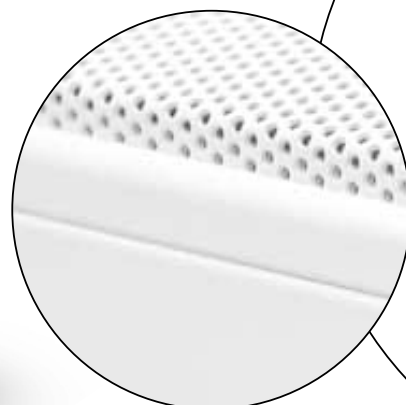


Fig.: K1-30, different views

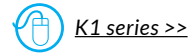




Fig.: Mounting example with K1-90 sound columns.



ONLINE SHOP *link:*



www.phoenix-pa.com • www.phoenix-pa.com/shop

Tel.: +49 (0) 8062 908 49 84 | Fax: +49 (0) 8062 728 37 37 | E-Mail: info@phoenix-pa.com

PHOENIX PROFESSIONAL AUDIO GMBH

Hermann-Oberth-Str. 12
D-83052 Bruckmühl
Germany